



CHICAGO STAINLESS EQUIPMENT

INSTA-FLOW

INDUSTRIAL STAINLESS STEEL PRESSURE GAUGES



All-Stainless Steel Construction



Quality Products Since 1937
www.chicagostainless.com

Member of:

fisa

Distributors Serving
Sanitary Processing



INSTA-FLOW

INDUSTRIAL STAINLESS STEEL PRESSURE GAUGES

Chicago Stainless has been a leading and innovative manufacturer of sanitary pressure gauges for more than fifty years. We have taken this half century of knowledge in the food processing, biopharmaceutical and chemical industries and applied it to produce an extremely durable yet accurate all stainless steel industrial pressure gauge. We offer this gauge with NPT connections in ranges from 30" Hg vacuum to 10,000 psi in either a 2 1/2" (63mm) or 4" (100mm) dial face. Quality products, and service to back them up, are the keys to our success and yours.

FEATURES

- 316L Stainless Steel Construction on all wetted surfaces assures maximum corrosion resistance.
304 Stainless Steel Case for durability even in the roughest environments.
Waterproof Construction throughout to allow the gauge to be submersed for cleaning.
C.I.P. - can be cleaned in place for convenience and eliminates the possibility of damage from mishandling.
Pressure Ranges from 30" Hg vacuum to 10,000 psi.
True Zero is standard on all gauges. The pointer is not pinned at zero and there is not a large zero block. This lets the operator know the pressure is truly zero and gives the most accurate pressure reading available.
Re-zero Feature is optional on all gauges.
Glycerin Fill is standard on all gauges unless requested otherwise. This protects the gear mechanism with continuous lubrication against vibration and wear caused by applications with vibration or pressure pulsations.
140°F (60°C) Maximum process temperature Please consult factory when ordering for higher temperature applications.
Immediate Availability from stock for all pressure gauges.
Experienced Engineers are available to answers questions and solve difficult application problems.
Unparalleled Customer Service where the customer is always right and we are not happy until the customer is satisfied. No restocking charges and 30 day no-risk trials are always available.

SPECIFICATIONS

Table with 2 columns: Specification and Value. Rows include Accuracy, Over Range Capability, Wetted Surfaces, Case Material, Dial Sizes, Lens Material, Temp. Limits, Standard Fill, Rezero Feature, Shipping Weight, etc.

AVAILABLE RANGES (psi)

Table with 3 columns of pressure ranges: 0 to 15, 0 to 30, 0 to 60, 0 to 100, 0 to 160, 0 to 200, 0 to 300, 0 to 400, 0 to 600, 0 to 1,000, 0 to 3,000, 0 to 10,000, 30" to 0, 30" to 15, 30"-0-30, 30"-0-60, 30"-0-100, 30"-0-150.

Standard scales are in PSI only, dual scale PSI-BAR, PSI-KG/cm², metric and other scales available upon request.

AVAILABLE FITTINGS

1/4-18 NPT for 2 1/2" (63mm). 1/4-18 NPT or 1/2-18 NPT for 4" (100mm). For other fittings please consult factory.

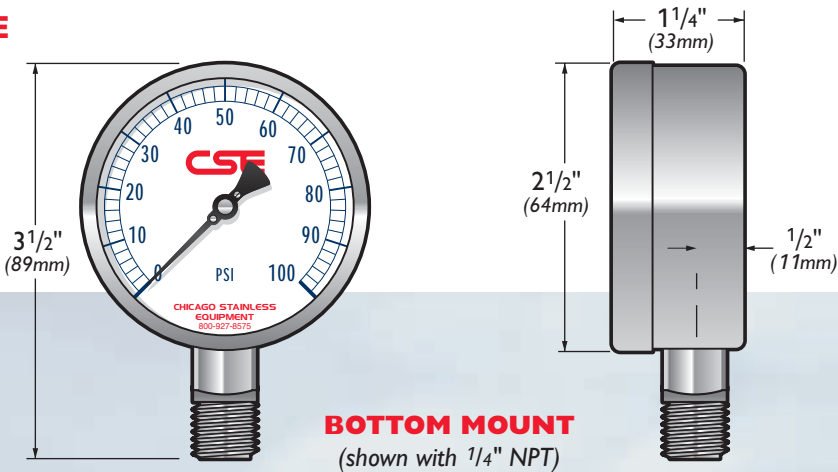
AVAILABLE MOUNTINGS

Bottom, Top, Left Side, Right Side and Back mount. (Back mounts not available in 4" dial size)

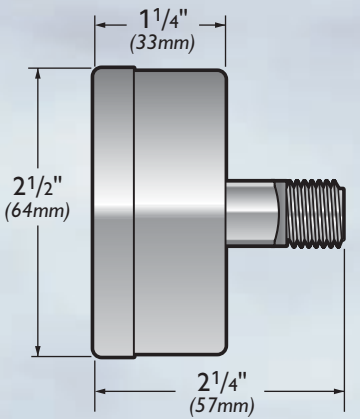


*For high temperature applications please consult factory.

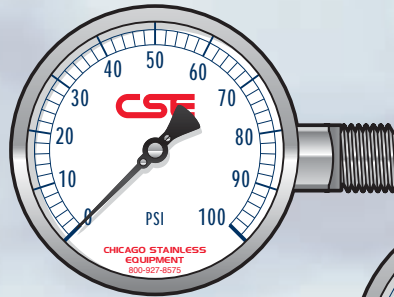
2 1/2" GAUGE
(63mm)



BOTTOM MOUNT
(shown with 1/4" NPT)



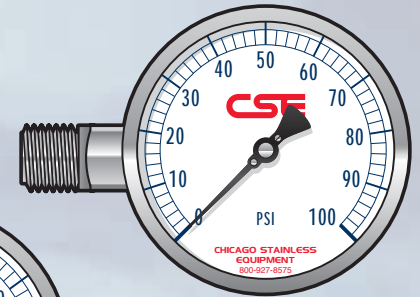
BACK MOUNT
(shown with 1/4" NPT)



RIGHT SIDE MOUNT
(shown with 1/4" NPT)

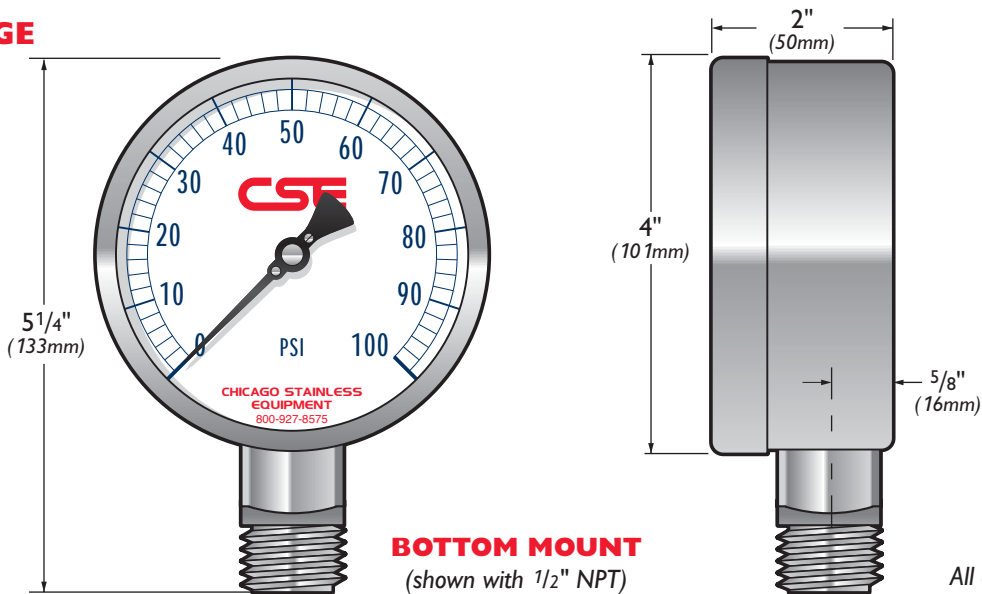


TOP MOUNT
(shown with 1/4" NPT)



LEFT SIDE MOUNT
(shown with 1/4" NPT)

4" GAUGE
(100mm)



BOTTOM MOUNT
(shown with 1/2" NPT)

All dimensions are approximate.



INSTA-FLOW

INDUSTRIAL STAINLESS STEEL PRESSURE GAUGES ORDERING INFORMATION

Below are typical examples of models with their descriptions.

EXAMPLE 1: 2N - E - 1/4NPT - GF - BT

Describes a 2 1/2" (63mm) Insta-Flow Pressure Gauge, 0 to 160 psi, 1/4" NPT fitting, glycerine filled case, bottom mounted.

EXAMPLE 2: 2N - DB - 1/4NPT - GF - BT

Describes a 2 1/2" (63mm) Insta-Flow Pressure Gauge, 0 to 100 psi/0 to 7 BAR, 1/4" NPT fitting, glycerine filled case, bottom mounted.

EXAMPLE 3: 4N - E - 1/2NPT - GF - BK

Describes a 4" (100mm) Insta-Flow Pressure Gauge, 0 to 160 psi, 1/2" NPT fitting, glycerine filled case, back mounted.

EXAMPLE 4: 4N - GK - 1/4NPT - GF - RT

Describes a 4" (100mm) Insta-Flow Pressure Gauge, 0 to 300 psi/0 to 21 Kg/cm², 1/4" NPT fitting, glycerine filled case, right side mounted.

MODEL NUMBER CONSISTS OF:

SERIES - PRESSURE RANGE - FITTING - FILLED CASE - MOUNT
2N - D - 1/4NPT - GF - BT

Please make a selection from each category below:

SERIES

- 2N - 2 1/2" (63mm) Insta-Flow Gauge
4N - 4" (100mm) Insta-Flow Gauge

PRESSURE RANGE*

- A - 0 to 15 psi (1 BAR)
B - 0 to 30 psi (2 BAR)
C - 0 to 60 psi (4 BAR)
D - 0 to 100 psi (7 BAR)
E - 0 to 160 psi (11 BAR)
F - 0 to 200 psi (14 BAR)
G - 0 to 300 psi (21 BAR)
H - 0 to 400 psi (28 BAR)
I - 0 to 600 psi (41 BAR)
K - 0 to 1,000 psi (70 BAR)
J - 30" Hg to 0 psi (-1 to 0 BAR)
L - 30" Hg to 15 psi (-1 to 1 BAR)
M - 30" Hg to 30 psi (-1 to 2 BAR)
N - 30" Hg to 60 psi (-1 to 4 BAR)
O - 30" Hg to 100 psi (-1 to 7 BAR)
P - 30" Hg to 150 psi (-1 to 10 BAR)
U - 0 to 3,000 psi (205 BAR)
W - 0 to 10,000 psi (700 BAR)

FITTING

- 1/4NPT - 1/4-18 Male Pipe Thread
1/2NPT - 1/2-14 Male Pipe Thread (4" only)

FILLED CASE

- GF - Glycerine Filled
NF - No Fill (Dry Case)
04 - Other (Specify)

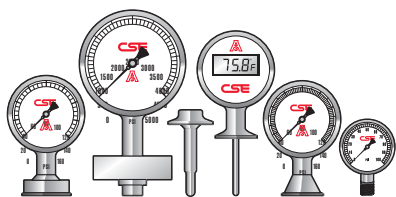
MOUNT

- BT - Bottom Mount
RT - Right Side Mount
LF - Left Side Mount
TP - Top Mount
BK - Back Mount (2 1/2" only)

*Standard scales are in PSI only. For dual scales, after the pressure range add letter B for PSI/BAR, K for PSI/Kg/cm², P for PSI/KPa.

Visit our website or request a catalog to see our complete line of high quality, precision products including: Sani-Flow Pressure Gauges, Homogenizer Pressure Gauges, Industrial Stainless Steel Pressure Gauges, Digital Thermometers, Pharma-Flow Pressure Gauges, Chem-Flow Pressure Gauges and Thermowells.

DISTRIBUTED BY: I.P.V. www.ipvonline.com



Quality Products Since 1937 www.chicagostainless.com