



CHICAGO STAINLESS EQUIPMENT

SANI-FLOW

# SANITARY PRESSURE GAUGES



Quality Products Since 1937  
[www.chicagostainless.com](http://www.chicagostainless.com)



Member of:  
**fisa**  
Distributors Serving  
Sanitary Processing





SANI-FLOW

SANITARY PRESSURE GAUGES

As the oldest and one of the largest manufacturers of sanitary pressure gauges, we have applied our experience in the design of an outstanding pressure gauge specifically for food processing applications. The Sani-Flow Pressure Gauge is built to withstand the harshest environments and function for many years with little or no maintenance. Our dedication to quality is not only evident in our products, but also in our customer service. We offer immediate availability on all products at reasonable prices.

FEATURES

- 316L Stainless Steel Sanitary Fittings & Diaphragm assures maximum corrosion resistance while providing the most sanitary construction possible.
304 Stainless Steel Case for durability even in the harshest environments.
Polycarbonate Lens is virtually impervious to cracks and breakage.
Waterproof Construction throughout allows gauge to be submersed for cleaning.
C.I.P. - can be cleaned in place for convenience and to eliminate the possibility of damage from mishandling.
Pressure Ranges from 30" Hg vacuum to 1,000 psi.
Recessed Diaphragm helps to protect sensitive diaphragm from physical abuse.
True Zero with Re-Zero Feature is standard on all gauges.
Unique Pulsation Dampening System to insulate the gauge movement from punishing pulsations which shorten the life of an ordinary pressure gauge.
Glycerine Fill is standard to protect the gear mechanism against wear and vibration.
500°F Maximum process temperatures (260°C)\*.
Immediate Availability from stock for all pressure gauges.
Experienced Engineers are available to answer questions and solve difficult application problems.
Unparalleled Customer Service where the customer is always right and we are not happy until the customer is satisfied. No restocking charges plus 30 day no-risk trials are always available.

SPECIFICATIONS

Table with 2 columns: Specification and Value. Rows include Accuracy, Over Range Capability, Wetted Surfaces, Surface Finish, Case Material, Dial Sizes, Lens Material, Temp. Limits, Standard Fill, Rezero Feature, and Shipping Weight.

AVAILABLE RANGES (psi)

Table with 3 columns of pressure ranges: 0 to 30, 0 to 60, 0 to 100, 0 to 160, 0 to 200, 0 to 300, 0 to 400, 0 to 600, 30"-0-30, 30"-0-100, 30"-0-150, 30"-0-200, 30"-0-300. Includes note: Standard scales are in PSI only, dual PSI/BAR and other scales available upon request.

AVAILABLE FITTINGS

Tri-Clamp®, Bevel Seat, Cherry-Burrell "I" Line, Cherry-Burrell "Q", APC, APV, G & H "H" Line, DIN, ISS, RJT, SMS, Westfalia.



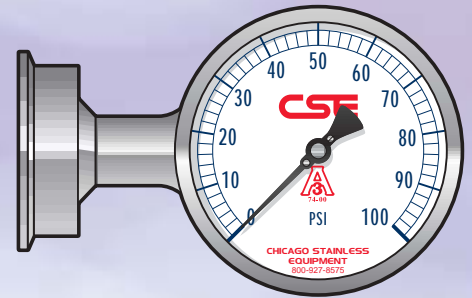
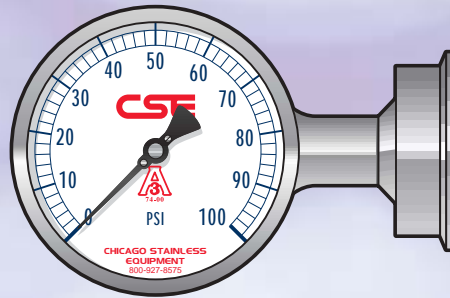
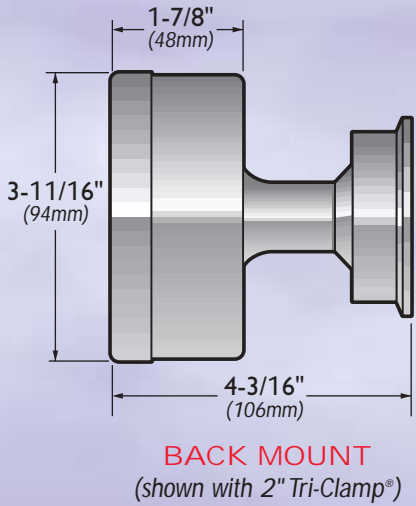
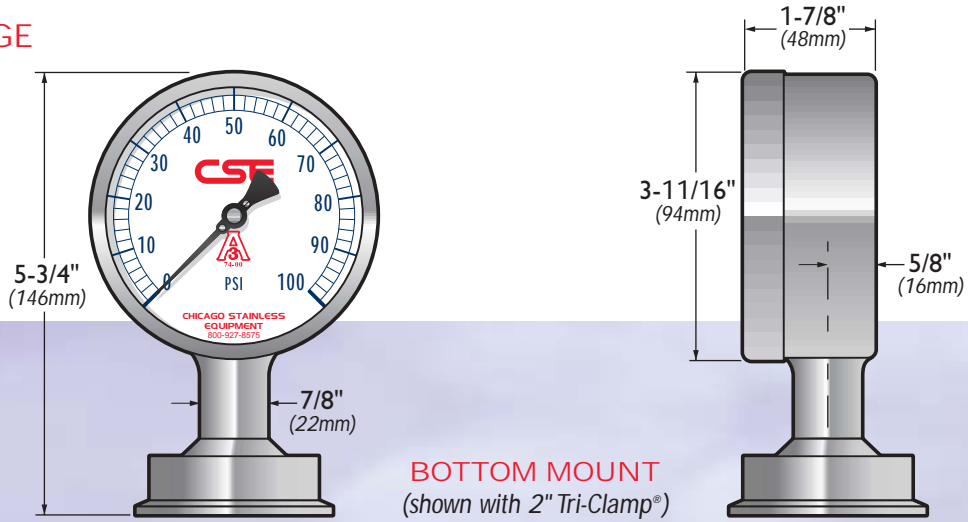
\*For high temperature applications please consult factory.

Tri-Clamp® is a registered trademark of Tri-Clover, Inc.

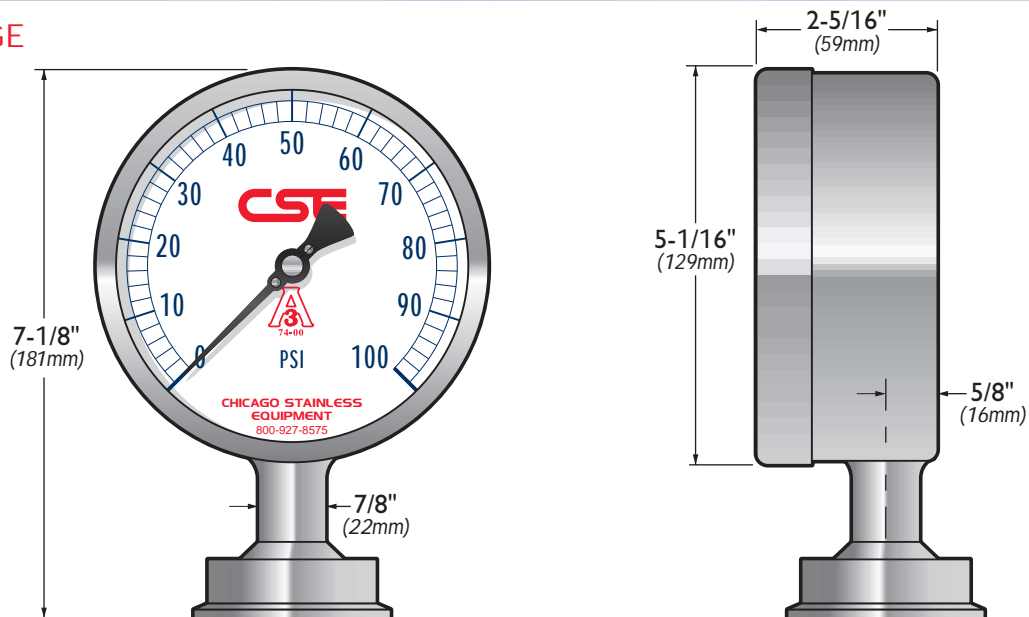
Teflon® is a registered trademark of E. I. du Pont de Nemours and Company or its affiliates.

For other fittings please consult factory.

**3-1/2" GAUGE**  
(90mm)



**5" GAUGE**  
(120mm)





SANI-FLOW

SANITARY PRESSURE GAUGES ORDERING INFORMATION

Below are typical examples of models with their descriptions.

EXAMPLE 1:

3S - E - 2U - GF - BT - SS

Describes a 3 1/2" Sani-Flow Pressure Gauge, 0 to 160 psi, 2" tri-clamp fitting, glycerine filled case, bottom mount, and a stainless steel diaphragm.

EXAMPLE 2:

3S - DB - 15U - GF - BK - SS

Describes a 3 1/2" Sani-Flow Pressure Gauge, 0 to 100 psi/0 to 7 BAR, 1 1/2" tri-clamp fitting, glycerine filled case, back mount, and a stainless steel diaphragm.

EXAMPLE 3:

3S - M - 2S - GF - BT - TF

Describes a 3 1/2" Sani-Flow Pressure Gauge, 30" Hg to 30 psi, 2" bevel seat threaded fitting, glycerine filled case, bottom mount, and a Teflon diaphragm.

EXAMPLE 4:

5S - GK - 25I - GF - RT - SS

Describes a 5" Sani-Flow Pressure Gauge, 0 to 300 psi/0 to 28 Kg/cm², 2 1/2" male I-line fitting, glycerine filled case, right side mount, and a stainless steel diaphragm.

MODEL NUMBER CONSISTS OF:

SERIES - PRESSURE RANGE - FITTING - FILLED CASE - MOUNT - DIAPHRAGM MATERIAL
3S - E - 2U - GF - BT - SS

Please make a selection from each category below:

SERIES

- 3S - 3 1/2" Sani-Flow Pressure Gauge
5S - 5" Sani-Flow Pressure Gauge

PRESSURE RANGE\*

- B - 0 to 30 psi (2 BAR)
C - 0 to 60 psi (4 BAR)
D - 0 to 100 psi (7 BAR)
E - 0 to 160 psi (11 BAR)
F - 0 to 200 psi (14 BAR)
G - 0 to 300 psi (21 BAR)
H - 0 to 400 psi (28 BAR)
I - 0 to 600 psi (41 BAR)
K - 0 to 1,000 psi (70 BAR)
M - 30" Hg to 30 psi (-1 to 2 BAR)
N - 30" Hg to 60 psi (-1 to 4 BAR)
O - 30" Hg to 100 psi (-1 to 7 BAR)
P - 30" Hg to 150 psi (-1 to 10 BAR)
Q - 30" Hg to 200 psi (-1 to 14 BAR)
R - 30" Hg to 300 psi (-1 to 21 BAR)

\*Standard scales are in PSI only. For dual scales, after the pressure range add letter B for PSI/BAR, K for PSI/Kg/cm², P for PSI/KPa.

FITTINGS

- (Fittings available in 1 1/2", 2", 2 1/2", 3")
H - G&H "H" Line Male
I - Cherry-Burrell Male I-Line
J - Cherry-Burrell Female I-Line
K - APC "K" Clamp
N - ISS
Q - Cherry-Burrell "Q"
R - RJT
S - #15 Bevel Seat Sanitary Male Thread
T - #13H Captive Nut & #14 Bevel Seat
U - Tri-Clamp®
V - #15 APV Gasket Seat Sanitary Male Thread
W - #13H Captive Nut & #14 APV Gasket Seat
X - APC-PV Gasket Seat w/#13H Captive Nut
Y - APC #15 Threaded Male

DIN - DIN according to DIN 11851 (specify DIN40 or DIN50)

SMS - SMS (specify SMS38 or SMS51)

(Specify size, then fitting type such as 1 1/2"U for a 1 1/2" Tri-Clamp fitting.)

For other fittings please consult factory.

FILLED CASE

- GF - Glycerine Filled
NF - No Fill (Dry Case)
04 - Other (Specify)

MOUNT

- BT - Bottom Mount
RT - Right Side Mount
LF - Left Side Mount
TP - Top Mount
BK - Back Mount

DIAPHRAGM MATERIAL

- SS - Stainless Steel
TF - Teflon®

Visit our website or request a catalog to see our complete line of high quality, precision products including: Sani-Flow Pressure Gauges, Homogenizer Pressure Gauges, Industrial Stainless Steel Pressure Gauges, Digital Thermometers, Pharma-Flow Pressure Gauges, Chem-Flow Pressure Gauges and Thermowells.

DISTRIBUTED BY: I.P.V.



Quality Products Since 1937 www.chicagostainless.com